



An Innovative Total  
Solutions Company

## E-Stop



Phone  
1300 427 637

Email  
[sales@harnessmaster.com.au](mailto:sales@harnessmaster.com.au)

[hmws-global.com](http://hmws-global.com)

## Product Overview

The HMWS E-Stop offering is proudly our first venture into manufacturing products outside the traditional wiring harness business.

The HMWS E-Stop design not only meets the primary function of an E-Stop, but also considers the environments it operates in and associated installation and maintenance practices. Our plug and play philosophy incorporates a bulkhead connector making installation simple and easy, external mounting holes eliminating the need for disassembly before installation, is IP 68 rated (6P NEMA rating) and contains 3 sets of telemechanique contacts to cater for all configurable possibilities.



## Product Description

The HMWS E-Stop toughness isn't just in its appearance.  
The Solution:

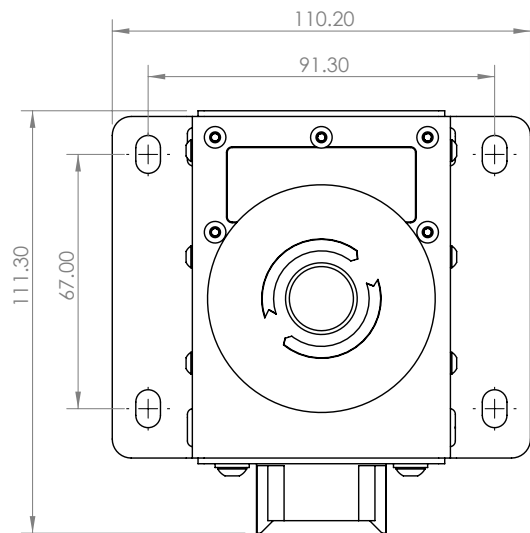
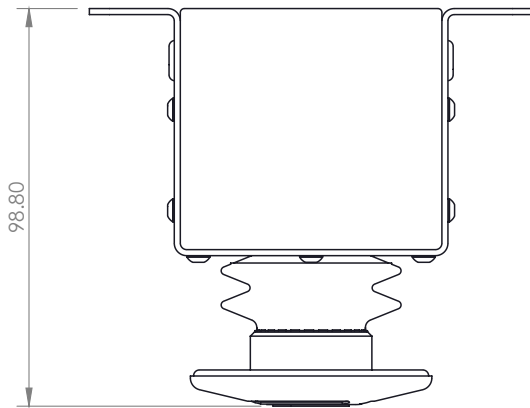
- The outer casing is made from stainless steel and is powder-coated to improve resistance to harsh and corrosive environments..
- IP68 (6P NEMA rating) rating further enhances its durability, particularly when exposed to high-pressure water cleaning.
- The plug and play design makes installation and replacement easy with a bulkhead connector fitted and external mounting holes that eliminate the need for disassembly before installation.
- Installation and replacement can be undertaken by non-trade and non-electrical trades.
- 3 sets of telemechanique contacts, 2 normally closed and 1 normally open caters for any wiring configuration and E-Stop category (0, 1 and 2).
- Configurable to all stop category definitions.
- 60mm mushroom head.
- Option for LED illumination.



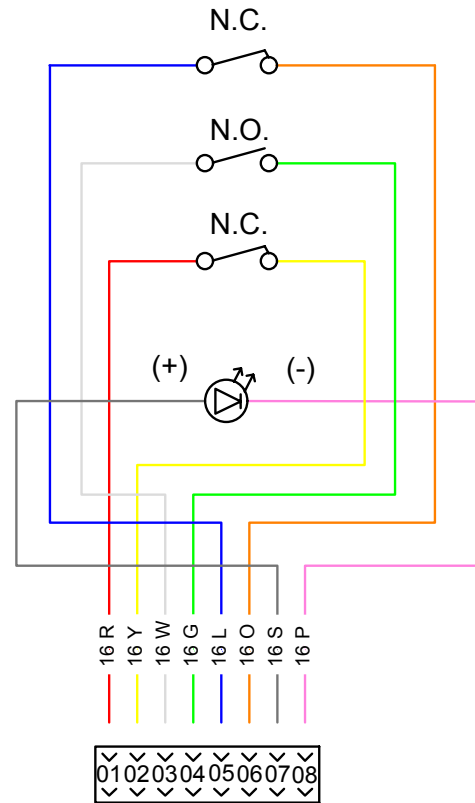
### HMWS Part Numbers – E-STOP

PART NUMBER	PART DESCRIPTION
HMK-ESTOP2	Kit, Mine E-Stop, Illuminated (Kit composition: 1 x E-Stop, 1 x Connector Plug, 1 x Connector Wedge, 8 x Solid Contacts, 1 x Schematic/Foot Print Guide)
HMA-5601121213	Mine E-Stop, Illuminated (Compatible with DT06-8S and AT06-8S)

## Key Dimensions



## Schematic



MAXIMUM  
CONTACT  
RATING:10A

## Product Data Sheet – Switch Contact 1 NO + 2 NC

MAIN	
Contacts type and composition	1 NO + 2 NC
Contacts operation	Slow-break
Contact block type	Single
COMPLEMENTARY	
Mechanical durability	5000000 cycles
Contacts material	Silver alloy (Ag/Ni)
Short circuit protection	10 A cartridge fuse type gG conforming to EN/IEC 60947-5-1
[Ith] conventional free air thermal current	10 A conforming to EN/IEC 60947-5-1
[Ui] rated insulation voltage	600 V (degree of pollution: 3) conforming to EN 60947-1
[Uimp] rated impulse withstand voltage	6 kV conforming to EN 60947-1
[Ie] rated operational current	1.2 A at 600 V, AC-15, A600 conforming to EN/IEC 60947-5-1 0.55 A at 125 V, DC-13, Q600 conforming to EN/IEC 60947-5-1 0.27 A at 250 V, DC-13, Q600 conforming to EN/IEC 60947-5-1 0.1 A at 600 V, DC-13, Q600 conforming to EN/IEC 60947-5-1 6 A at 120 V, AC-15, A600 conforming to EN/IEC 60947-5-1 3 A at 240 V, AC-15, A600 conforming to EN/IEC 60947-5-1
Electrical durability	1000000 cycles, DC-13, 0.5 A at 24 V, operating rate: 3600 cyc/h, load factor: 0.5 conforming to EN/IEC 60947-5-1 appendix C 1000000 cycles, DC-13, 0.2 A at 110 V, operating rate: 3600 cyc/h, load factor: 0.5 conforming to EN/IEC 60947-5-1 appendix C 1000000 cycles, AC-15, 4 A at 24 V, operating rate: 3600 cyc/h, load factor: 0.5 conforming to EN/IEC 60947-5-1 appendix C 1000000 cycles, AC-15, 3 A at 120 V, operating rate: 3600 cyc/h, load factor: 0.5 conforming to EN/IEC 60947-5-1 appendix C 1000000 cycles, AC-15, 2 A at 230 V, operating rate: 3600 cyc/h, load factor: 0.5 conforming to EN/IEC 60947-5-1 appendix C
Electrical reliability IEC 60947-5-4	$\Lambda < 10\exp(-8)$ at 17 V, 5 mA in clean environment conforming to EN/IEC 60947-5-4 $\Lambda < 10\exp(-6)$ at 17 V, 1 mA in clean environment conforming to EN/IEC 60947-5-4
ENVIRONMENT	
Ambient air temperature for operation	-25 ... 70 °C
IP degree of protection	IP20 conforming to IEC 60529
Standards	EN/IEC 60947-1 EN/IEC 60947-5-1 EN/IEC 60947-5-4 EN/IEC 60947-5-5 JIS C 4520 UL 508 CSA C22.2 No 14
Product certifications	BV CSA DNV GL LROS (Lloyds register of shipping) RINA UL
Vibration resistance	5 gn (f = 2 ... 500 Hz) conforming to IEC 60068-2-6
Shock resistance	50 gn (duration = 11 ms) for half sine wave acceleration conforming to IEC 60068-2-27 30 gn (duration = 18 ms) for half sine wave acceleration conforming to IEC 60068-2-27

## Product Data Sheet – E-Stop Mushroom Head Push Button 60mm

MAIN	
Bezel material	Chromium plated metal
Mounting diameter	22 Mm
Type of operator	Trigger action and mechanical latching
Reset	Turn to release
Operator profile	Red mushroom Ø 60 mm, unmarked
Head type	Standard
COMPLEMENTARY	
Resistance to high pressure washer	7000000 Pa at 55 °C, distance: 0.1m
Mechanical durability	300000 Cycles
Electrical composition code	C7 for <4 contacts using single blocks in front mounting CB for <4 contacts using single and double blocks in front mounting C11 for <3 contacts using single blocks in front mounting C15 for <1 contacts using single blocks in front mounting C10 for <4 contacts using single and double blocks in front mounting
ENVIRONMENT	
Ambient air temperature for operation	-40 .. 70 °C
Electrical shock protection class	Class I conforming to IEC 61140
IP degree of protection	IP66 conforming to IEC 60529 IP69 IP69K
NEMA degree of protection	NEMA 13 NEMA 4X NEMA4 NEMA12
Standards	UL 508 EN/IEC 60947-5-5 EN/IEC 60204-1 IEC 60364-5-53 EN/ISO 13850 EN/IEC 60947-5-4 EN/IEC 60947-5-1 CSA C22.2 No 14 GB 14048.5 JIS C8201-1
Product certifications	RINA LROS (Lloyds register of shipping) BV UL listed DNV GL CSA
Vibration resistance	5 gn (f = 2...500 Hz) conforming to IEC 60068-2-6
Shock resistance	30 gn (duration = 18 ms) for half sine wave acceleration conforming to IEC 60068-2-27 50 gn (duration = 11 ms) for half sine wave acceleration conforming to IEC 60068-2-27